

TUPAI[®]
PARTNER IN SMART SOLUTIONS

BLACK PEARL

ACABAMENTO BLACK PEARL: ELEGANTE E INTEMPORAL.

BLACK PEARL FINISH: ELEGANT AND TIMELESS.

—

BLACK PEARL

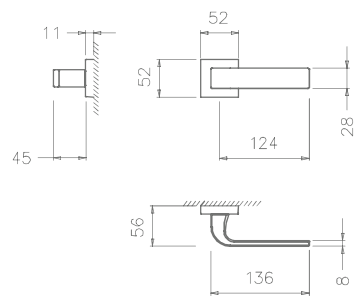
—

- 02** PUXADORES
HANDLES
- 12** ROSETAS / BOTÕES WC
ROSES / WC BUTTONS
- 13** ASAS DE EMBUTIR
PULLS TO EMBED
- 14** ASAS EXTERIOR
EXTERIOR HANDLE
- 16** PUXADORES DE MÓVEIS
CABINET KNOBS
- 17** FECHADURAS
LOCKS
- 20** DOBRADIÇAS, BATENTES, FECHOS
HINGES, DOOR STOP, BOLT
- 21** ACESSÓRIOS DE BANHO
BATH ACCESSORIES

_ REF. 2732 Q



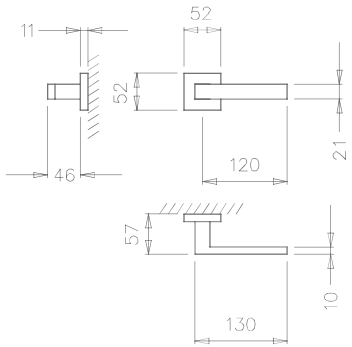
Puxador par
Lever set



_ REF. 2275 Q



Puxador par
Lever set



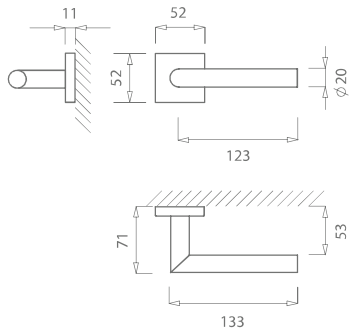


_ REF. 2002Q 153

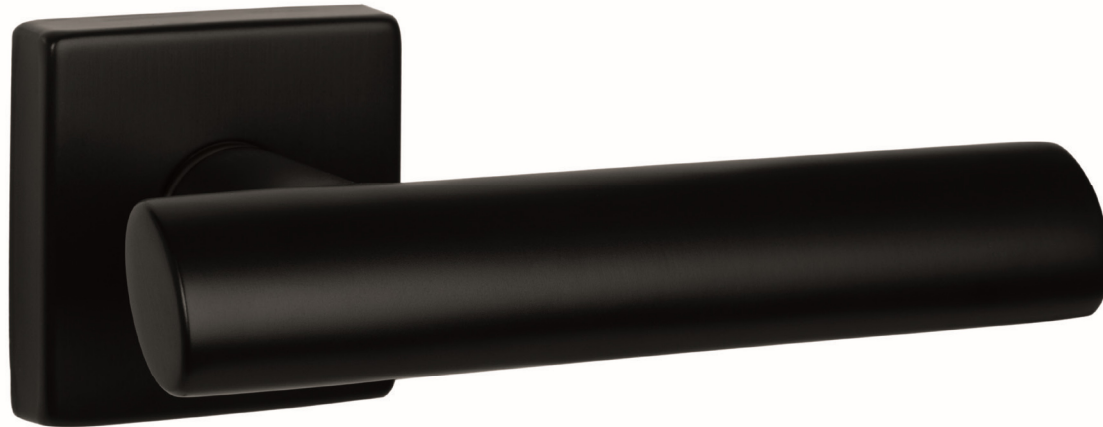
_ REF. 2002 Q



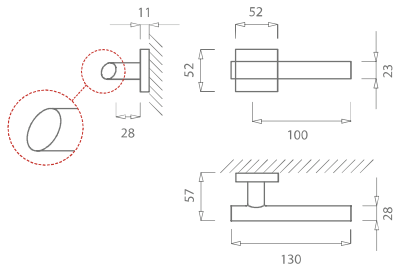
Puxador par
Lever set



_ REF. 2733 Q



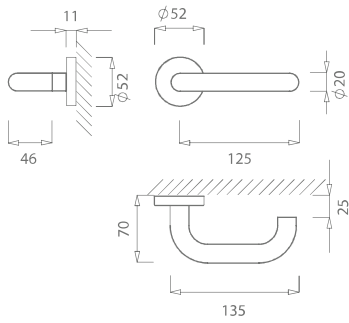
Puxador par
Lever set



_ REF. 2000



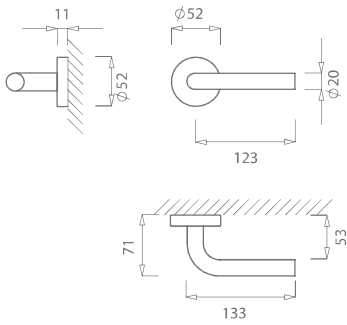
Puxador par
Lever set



_ REF. 2001



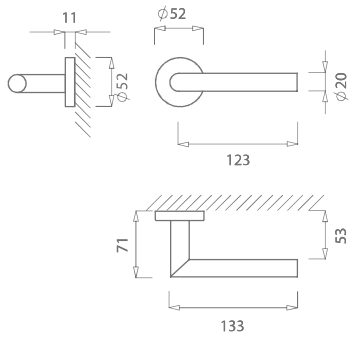
Puxador par
Lever set



_ REF. 2002



Puxador par
Lever set



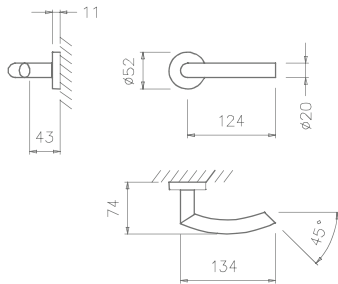


_ REF. 2233 153

_ REF. 2233



Puxador par
Lever set



ESPELHOS DE CHAVE / ENTRY KEY

_ REF. 3166



_ REF. 1998
_ REF. 3258



_ REF. 1999
_ REF. 3259



_ REF. 801
_ REF. 3267



_ REF. 1987



_ REF. 2008



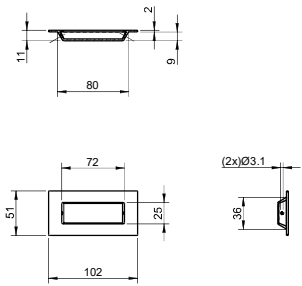
_ REF. 2009



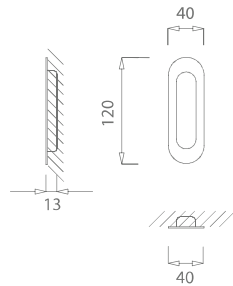
_ REF. 2147



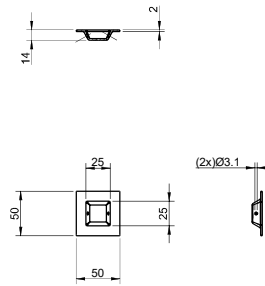
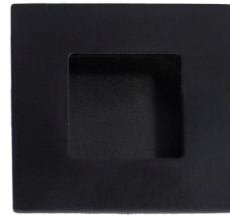
_ REF. 1696



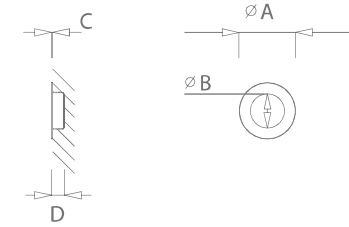
_ REF. 1695



_ REF. 2187



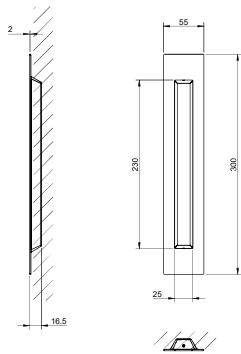
_ REF. 1666/1667/1668



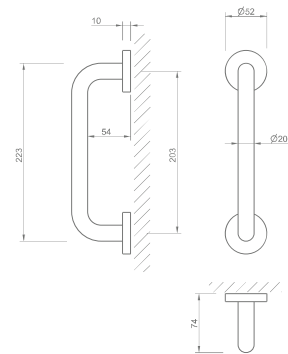
REF	ØA	ØB	C	D
1666	65	40	1,5	14
1667	51	28	3	11,5
1668	35	22	2	11

ASAS DE EMBUTIR / PULL TO EMBED

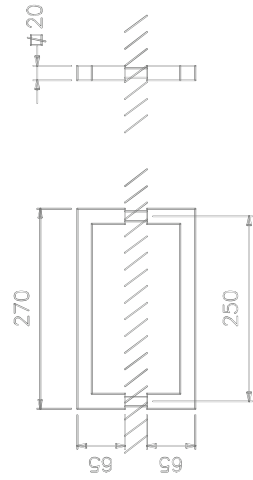
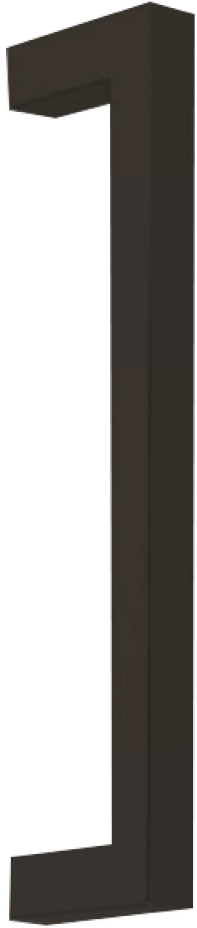
_ REF. 2639



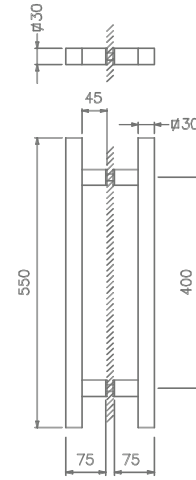
_ REF. 2911



_ REF. 2630



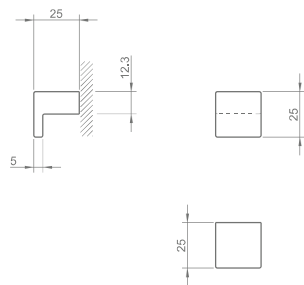
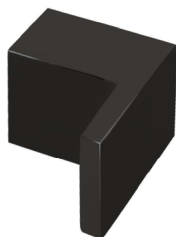
_ REF. 2621



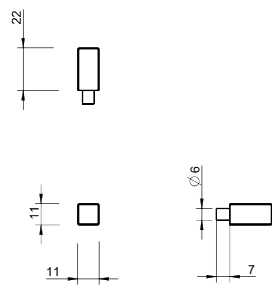
ASAS EXTERIOR / EXTERIOR HANDLE

PUXADORES MÓVEIS / CABINET KNOBS

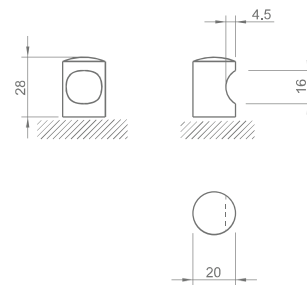
_ REF. 2586



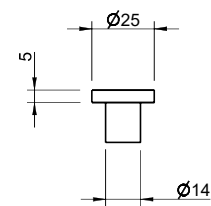
_ REF. 2240



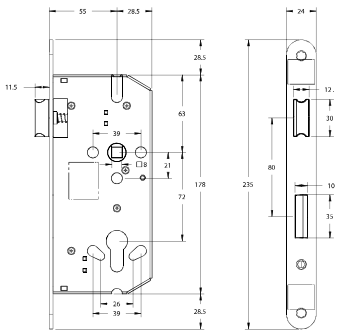
_ REF. 1619



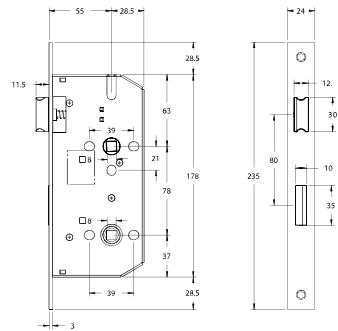
_ REF. 1614



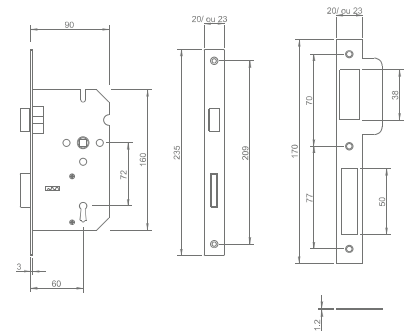
_ REF. S-980A
NEW



_ REF. S-918A
NEW



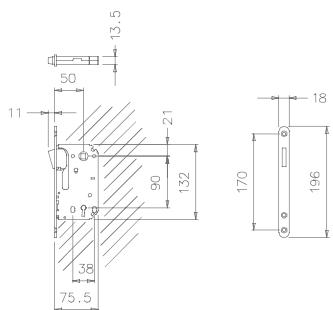
_ REF. S-916
NEW



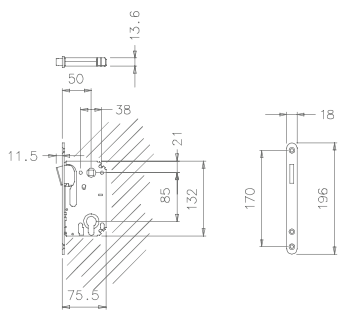
CILINDRO EUROPEU / CYLINDER EUROPEAN / WC / BB

MAGNÉTICAS / MAGNETIC

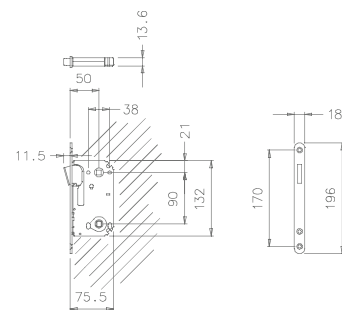
_ REF. 2867



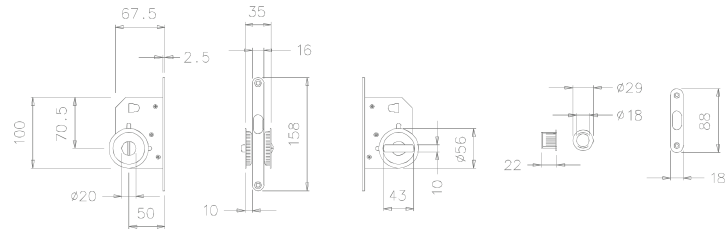
_ REF. 2868



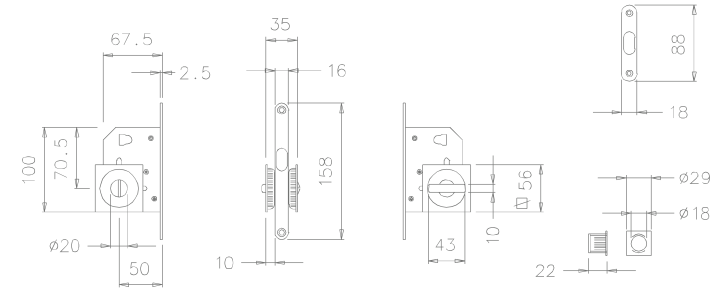
_ REF. 2869



_ REF. 2850

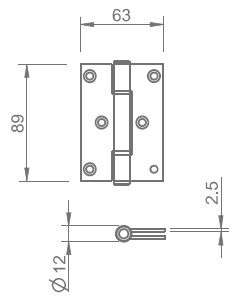
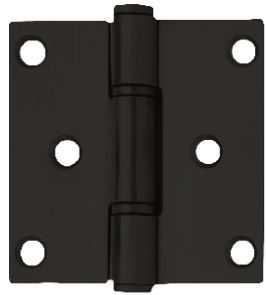


_ REF. 2849

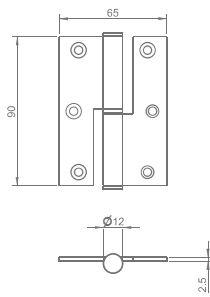


DOBRAÇAS / BATENTES / FECHOS / HINGES / DOOR STOP / BOLT

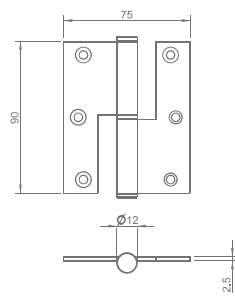
_ REF. 1786



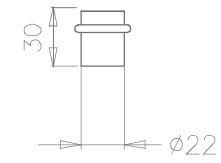
_ REF. 1746



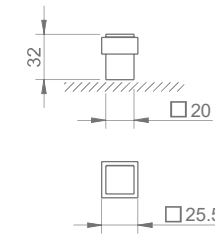
_ REF. 1742



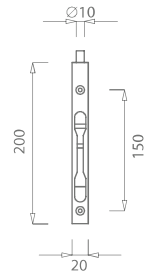
_ REF. 1699



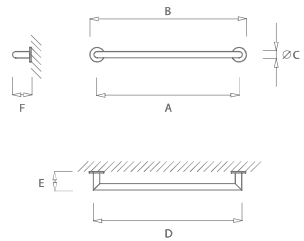
_ REF. 2617



_ REF. 2246

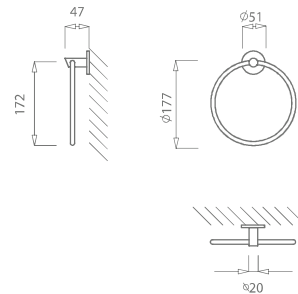


_ REF. 5020

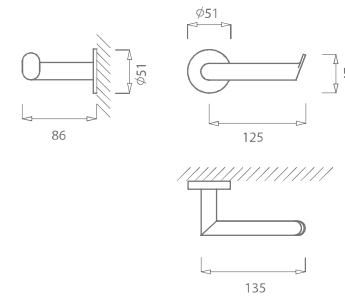


REF	A	B	ØC	D	E	F
5020x400	400	-	51	422	84	-
5020x500	500	-	51	422	84	-

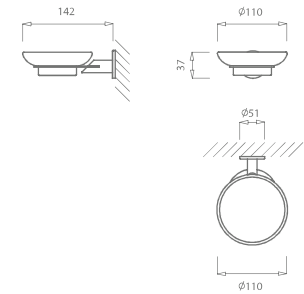
_ REF. 5021



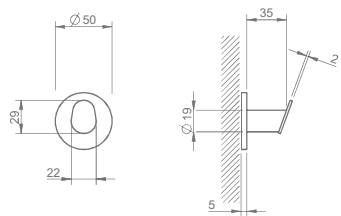
_ REF. 5022



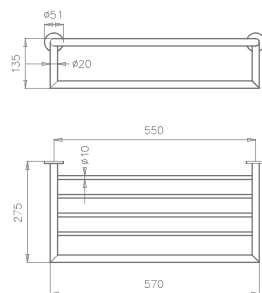
_ REF. 5023



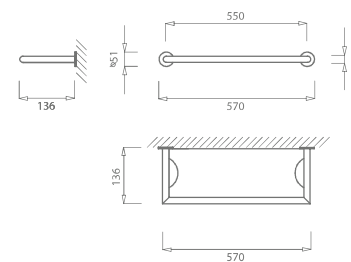
_ REF. 5025



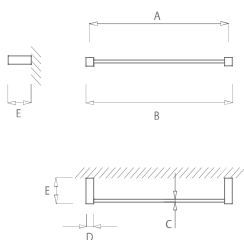
_ REF. 5024



_ REF. 5026

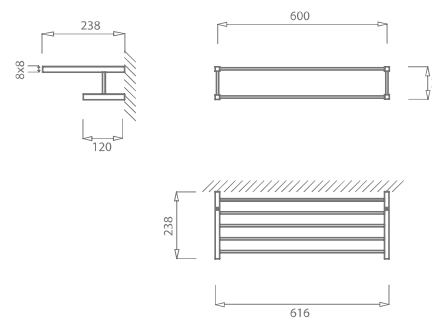


_ REF. 5070

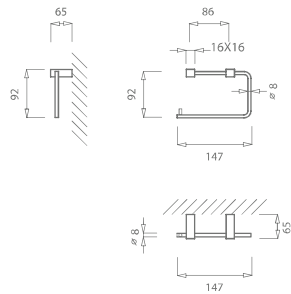


REF	A	B	C	D	E
5070x450	450	466	8x8	16x16	65
5070x600	600	616	8x8	16x16	65

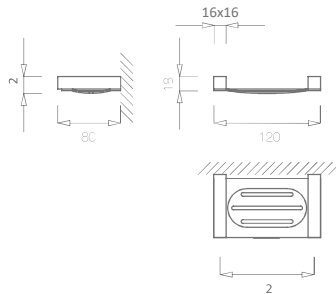
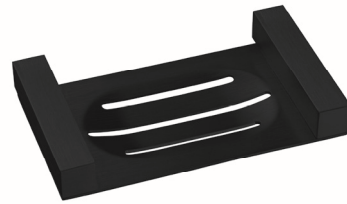
_ REF. 5074



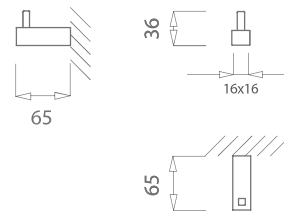
_ REF. 5072



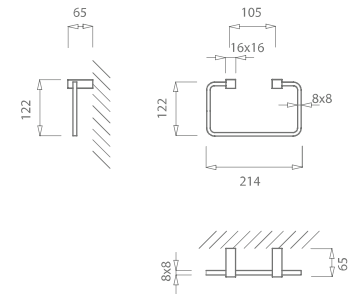
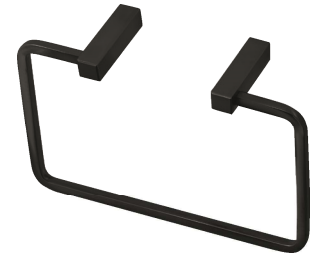
_ REF. 5073



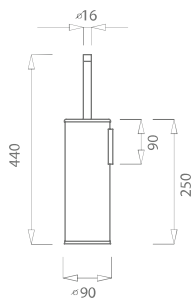
_ REF. 5075



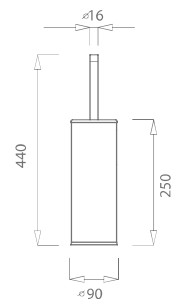
_ REF. 5076



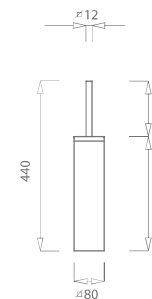
REF. 5008
Porta piaçaba de parede / Wall brush rack



REF. 5009



REF. 5079



TUPAI®



TEL. 11 3082 2277
WWW.METALFERCO.COM.BR

TUPAI@TUPAI.PT
WWW.TUPAI.PT



DMKT 2019

